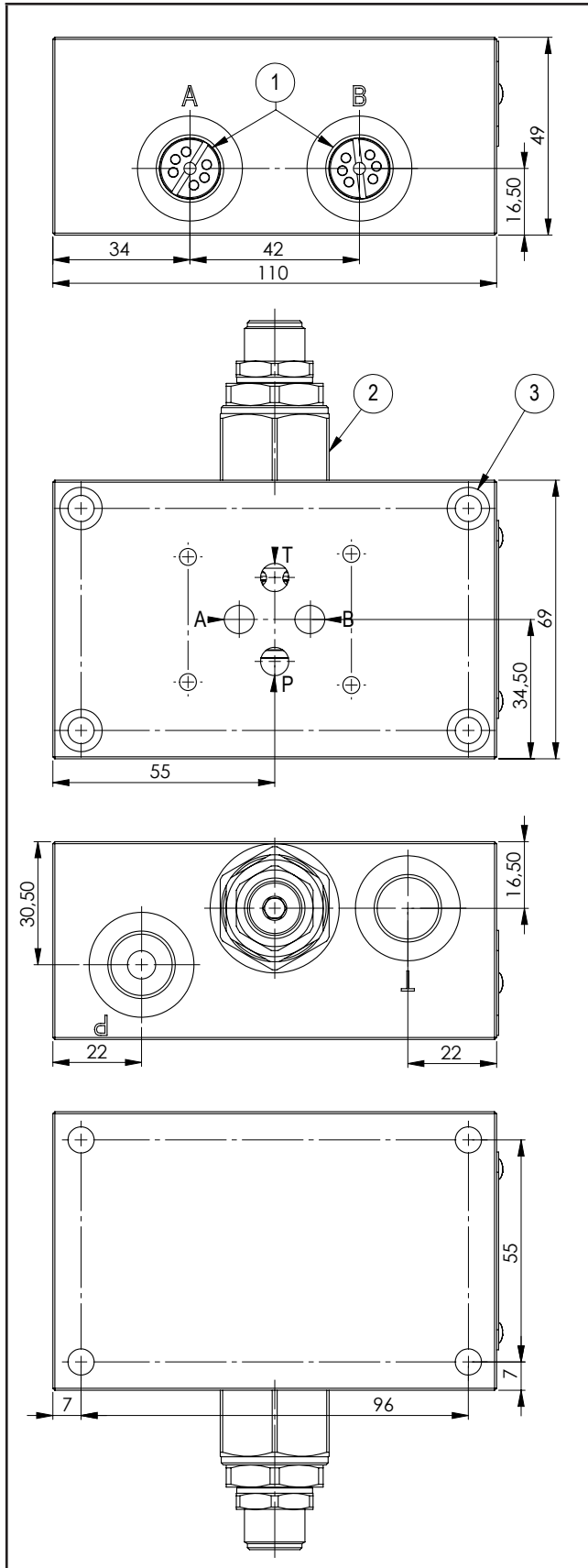


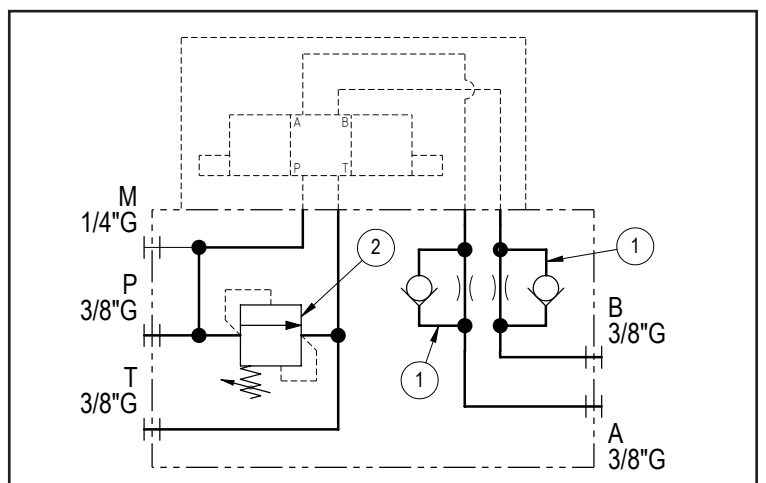
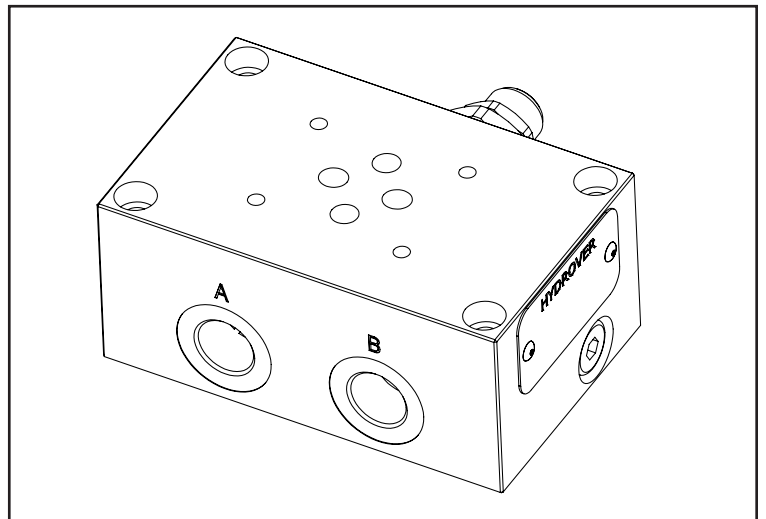
Cetop 3 single station subplate / relief valve  
fixed setting flow regulators on A and/or B

**H3641**

Dimensions in mm



Technical data	
Max. pressure	250 bar
Max. flow	25 lpm
Weight	1,1 Kg
Manifold material	Aluminium
M port	1/4" G
P / T / A / B ports	3/8" G



N°	Description	Q.ty
1	Bosch Rexroth unidirectional flow restrictor <a href="#">GSU1.38</a> *	2
2	Bosch Rexroth relief valve <a href="#">VMD1.025</a> *	1
3	Ø 6,5 through hole for mounting with counterbore	4

\* for complete technical information, click on the blue link or go to the components section at the end of the catalogue

Ordering code

H	3	6	4	1	A	-	-	-	-	-	-	-
---	---	---	---	---	---	---	---	---	---	---	---	---

**Hydrover product**

**Product series**

36 series - Cetop 3 subplates

**Product ID**

**Manifold material**

Aluminium

**Relief valve**

**adjustment type**

Screw

= S

**Relief valve**

**pressure range**

1 = 25-120 bar

2 = 40-200 bar

3 = 200-350 bar

**Flow restrictor on B**

00 = Without

01 = Ø 0,1 mm

02 = Ø 0,2 mm

...

24 = Ø 2,4 mm

25 = Ø 2,5 mm

**Flow restrictor on A**

00 = Without

01 = Ø 0,1 mm

02 = Ø 0,2 mm

...

24 = Ø 2,4 mm

25 = Ø 2,5 mm