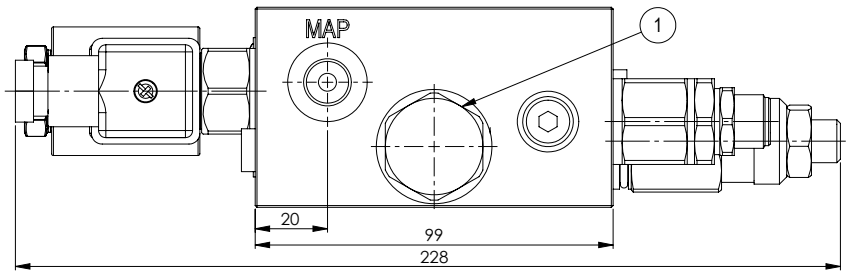
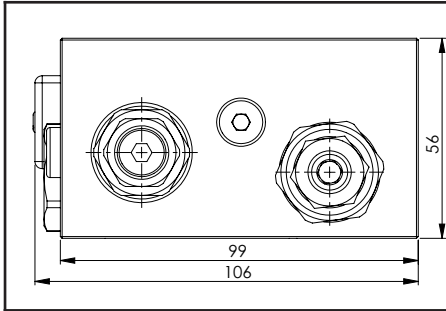
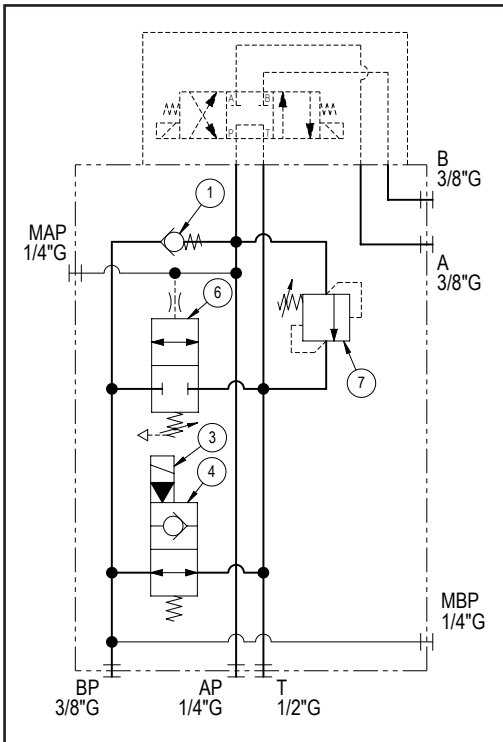
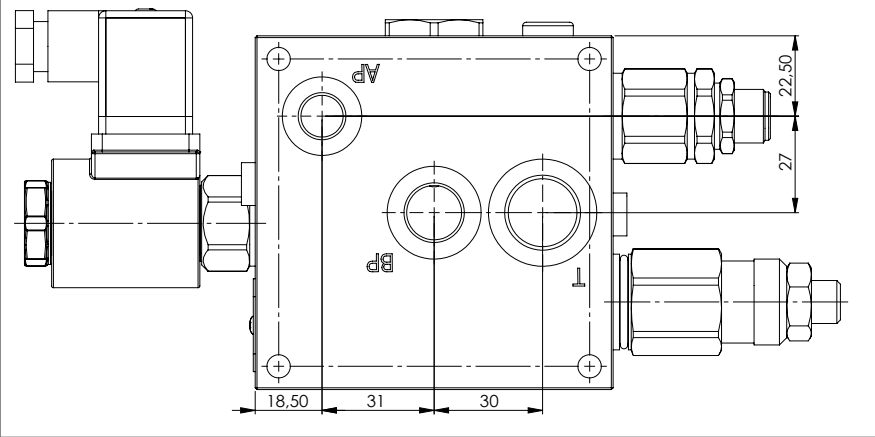
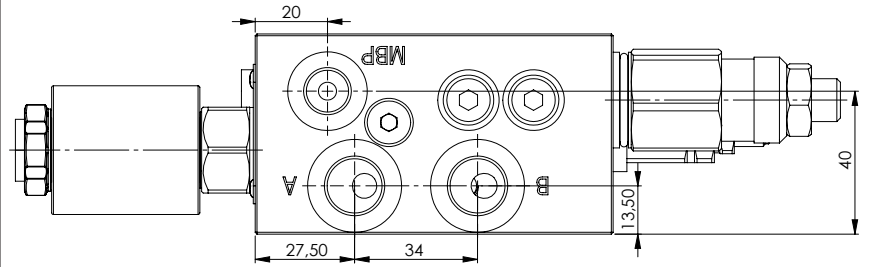
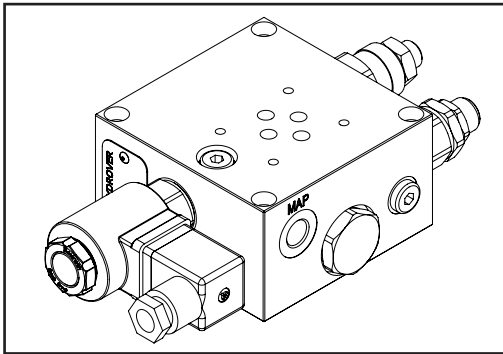
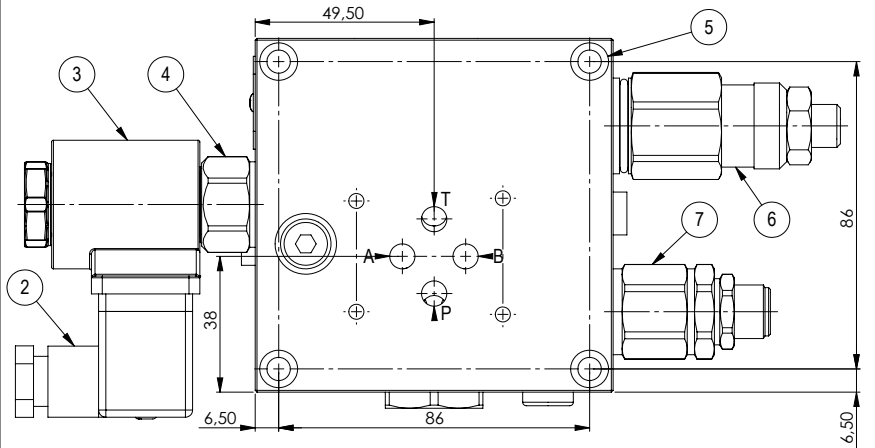


Cetop 3 single station subplate / pump unloading / relief valve **H3640**

Dimensions in mm



Technical data	
Max. pressure	350 bar
Low pressure max. flow	30 lpm
High pressure max. flow	10 lpm
Weight	4,27 Kg
Manifold material	Steel
AP / MAP / MBP ports	1/4" G
BP / A / B ports	3/8" G
T port	1/2" G



Ordering code

H 3 6 4 0 S - - - - - - - - - -

**Hydrover product**

**Product series**  
36 series - Cetop 3 subplates

**Product ID**

**Manifold material**  
Steel

**Directional valve adjustment type**  
Screw = S

**Directional valve adjustment pressure range**

5-35 bar	= 1
14-70 bar	= 2
35-105 bar	= 3
70-210 bar	= 4

**Relief valve adjustment type**  
Screw = S

**Solenoid valve coil connection \***  
1 = DIN 43650  
ISO 4400

**Solenoid valve coil voltage \***

OB =	12V DC
OC =	24V DC
OD =	48V DC
OU =	110V RAC
AH =	230V RAC

**Solenoid valve manual override \***

E0 =	Without
EP =	Push (NA)
EG =	Push and twist (NA)

**Relief valve adjustment pressure range \***

1=	25-120 bar
2=	40-200 bar
3=	200-350 bar

\* Omit if not required. For example, to order the product without coil, omit the coil voltage and connection options: eg. H3640S-S2-S3-E0.  
To inhibit the low-pressure release solenoid valve, replace the related options with TL: eg. H3640S-S2-S3-TL.  
In the cavity it will be mounted a long plug.

Valve	Cavity	Long plug code
Bosch Rexroth solenoid valve VEI-16-08A-NA OD.15.06.18-Y-000000	CA-08A-2N	<b>0489A2005600000</b>

N°	Description	Q.ty
1	Bosch Rexroth check valve	1
2	Connector DIN 43650 ISO 4400	1
3	Bosch Rexroth coil <b>D36</b> - CLASS H DIN 43650 ISO 4400 **	1
4	Bosch Rexroth solenoid valve <b>VEI-16-08A-NA OD.15.06.18-Y-000000</b> depicted without manual override **	1
5	Ø 6,5 through hole with counterbore for mounting	4
6	Directional valve normally closed	1
7	Bosch Rexroth relief valve <b>VMD1.025</b> **	1

\*\* for complete technical information, click on the blue link or go to the components section at the end of the catalogue