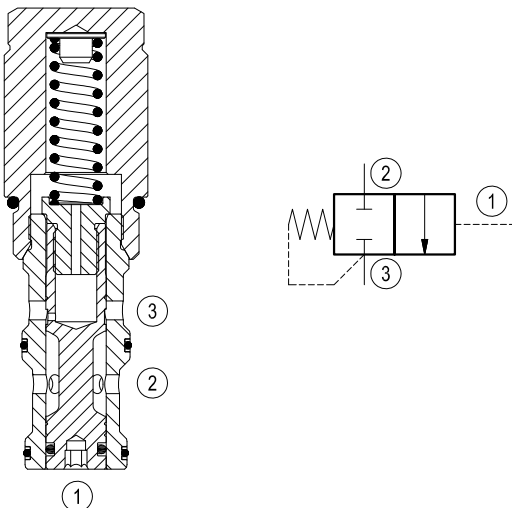


Directional spool type, direct acting external pilot internal drain

Common cavity, Size 16

VDSA-16A

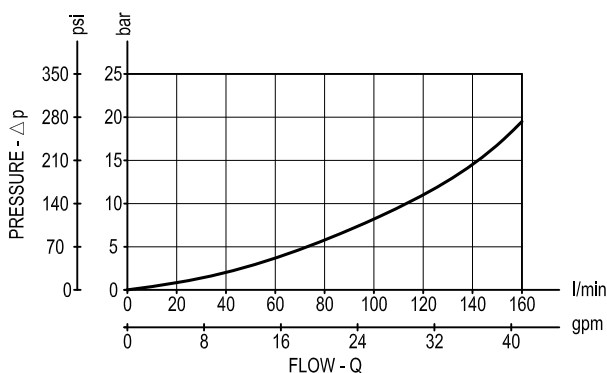
04.77.32 - X - 27 - Z



Description

Flow is blocked from 2 to 3 until the pressure at 1 rises to the selected spring setting. Upon reaching this pressure, the spool shifts upward, allowing flow from 2 to 3 until pressure at 1 drops below the set point. The spring chamber is drained to 3, thus any pressure at 3 is additive to the spring setting.

Performance



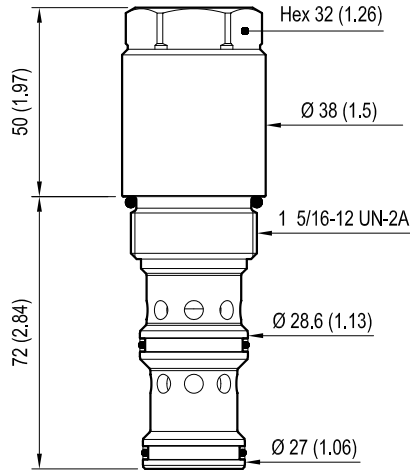
Technical data

Max. operating pressure	bar (psi)	350 (5000)
Max. flow	l/min. (gpm)	160 (43)
Max. internal leakage (*)	cm ³ /min. (cu.in./min.)	170 (10)
Pilot displacement volume	cm ³ (cu.in.)	1.2 (0.05)
Fluid temperature range	°C (°F)	-30 to 100 (-22 to 212)
Installation torque	Nm (ft-lbs)	108-122 (80-90)
Weight	kg (lbs)	0.6 (1.32)
Cavity		CA-16A-3N see data sheet RE 18325-70
Seal kit (**)	code material no.	RG16A3010530100 R930001178
Fluids		Mineral-based or synthetics with lubricating properties at viscosities of 10 to 500 mm ² /s (cSt)
Filtration		Nominal value max. 10µm (NAS 8) ISO 4406 19/17/14
Installation		No restrictions
Other Technical Data		See data sheet RE 18350-50

(*) Measured at 210 bar (3000 psi)

(**) Only external seals for 10 valves

Dimensions



[mm (Inches)]

Ordering code

04.77.32	X	27	Z	00	*
----------	---	----	---	----	---

Directional spool type, direct acting external pilot internal drain

O-Ring on pilot piston

- = 00 No O-Ring
- = 10 With O-Ring

Common cavity, Size 16

Series 0/A to L unchanged performances and dimensions

Version and options standard

SPRINGS	
	Std. setting bar (psi)
= 05	5.5 (80) ± 20%
= 11	11 (160) ± 10%

Type	Material number
047732002705000	R930001157
047732002711000	R930001159
047732102705000	R930001162
047732102711000	R930001163

Type	Material number