

Directional spool type, direct acting,  
 external pilot internal drain  
 Common cavity, Size 10

VDSA-10A-6

04.77.29 - X - 85 - Z

**RE 18320-73**

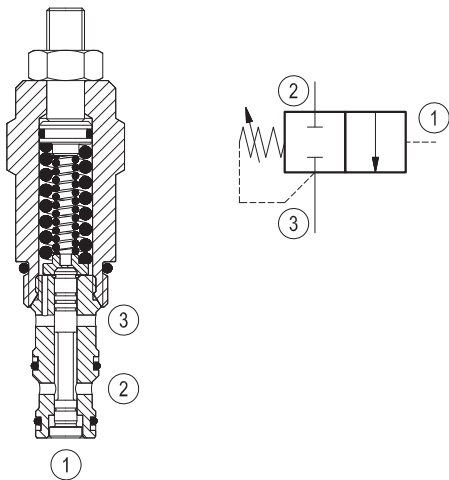
Edition: 03.2016

Replaces: 09.2009



### Description

Flow is blocked from 2 to 3 until the pressure at 1 rises to the selected spring setting. Upon reaching this pressure, the spool shifts upward, allowing flow from 2 to 3 until pressure at 1 drops below the set point. The spring chamber is drained to 3, thus any pressure at 3 is additive to the spring setting. VDSA-10A-6 is especially designed for application requiring high valve of shifting pressure.



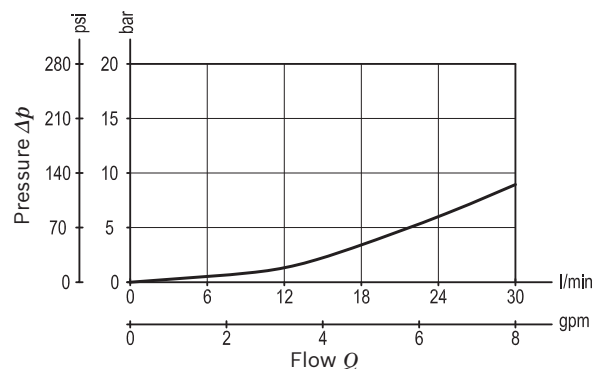
### Technical data

Max. operating pressure	350 bar (5000 psi)
Max. flow	30 l/min (8 gpm)
Max. internal leakage <sup>1)</sup>	10 cm <sup>3</sup> /min. (0.6 cu.in./min.)
Fluid temperature range	-30 to 100 °C (-22 to 212 °F)
Installation torque	41 - 47 Nm (30 - 35 ft-lbs)
Weight	0.27 kg (0.6 lbs)
Cavity	CA-10A-3N (see data sheet 18325-70)
Lines bodies and standard assemblies	Please refer to section "Hydraulic integrated circuit" or consult factory
Seal kit <sup>2)</sup>	Code: RG10A3010520100 material no: R901111369
Fluids	Mineral-based or synthetics with lubricating properties at viscosities of 10 to 500 mm <sup>2</sup> /s (cSt)
Recommended degree of fluid contamination	Nominal value max. 10µm (NAS 8) / ISO 4406 19/17/14
Installation position	No restrictions
Other Technical Data	See data sheet 18350-50

1) Measured at 200 bar (2900 psi)

2) Only external seals for 10 valves

### Characteristic curve



**Ordering code**

<b>04.77.29</b>	<b>X</b>	<b>85</b>	<b>Z</b>	<b>00</b>	<b>*</b>
-----------------	----------	-----------	----------	-----------	----------

Directional spool type, direct acting  
external pilot internal drain

**Adjustments**

**03** Leakproof hex. socket screw

**85** Common cavity, Size 10

Series O/A to L  
unchanged performances and dimensions

Version and options standard

SPRINGS			
	Adj. press. range bar (psi)	Pressure increase bar/turn (psi/turn)	Std. setting bar (psi)
<b>05</b>	10-70 (145-1000)	8 (116)	40 (580)
<b>10</b>	35-140 (500-2000)	20 (290)	90 (1300)
<b>20</b>	70-210 (1000-3000)	39 (566)	140 (2000)
<b>35</b>	140-350 (2000-5000)	80 (1160)	210 (3000)

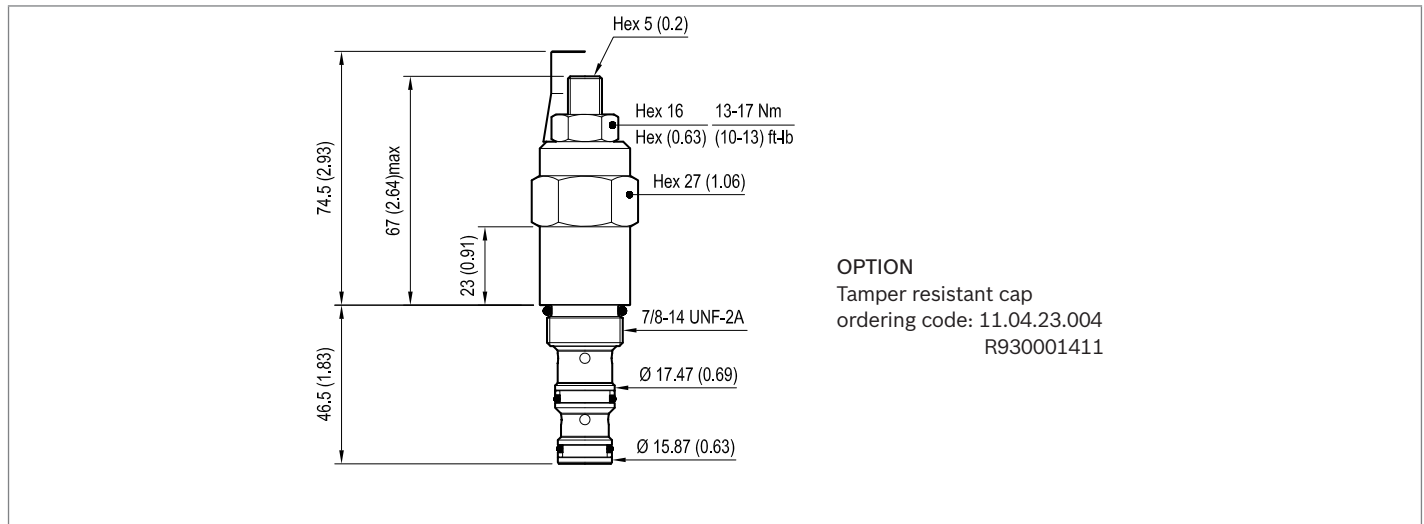
Note: Special settings available. Contact factory authorized representative for ordering code.

**Preferred types**

Type	Material number
047729038505000	R901109943
047729038510000	R901109945
047729038520000	R901109947
047729038535000	R901109949

Type	Material number

**Dimensions**



**Bosch Rexroth Oil Control S.p.A.**

Via Leonardo da Vinci 5  
 P.O. Box no. 5  
 41015 Nonantola – Modena, Italy  
 Tel. +39 059 887 611  
 Fax +39 059 547 848  
 compact-hydraulics-cv@boschrexroth.com  
 www.boschrexroth.com/compacthydraulics

© This document, as well as the data, specifications and other information set forth in it, are the exclusive property of Bosch Rexroth Oil Control S.p.a.. It may not be reproduced or given to third parties without its consent. The data specified above only serve to describe the product. No statements concerning a certain condition or suitability for a certain application can be derived from our information. The information given does not release the user from the obligation of own judgment and verification. It must be remembered that our products are subject to a natural process of wear and aging. Subject to change.