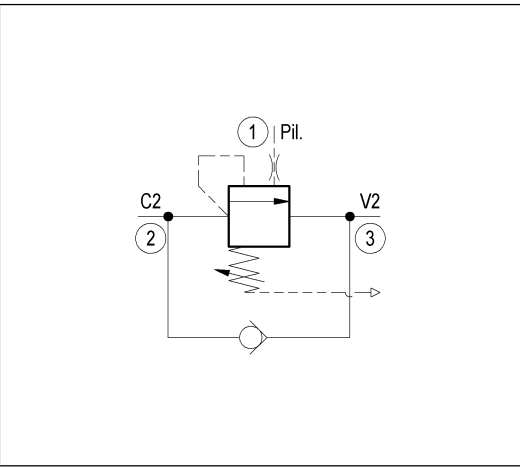
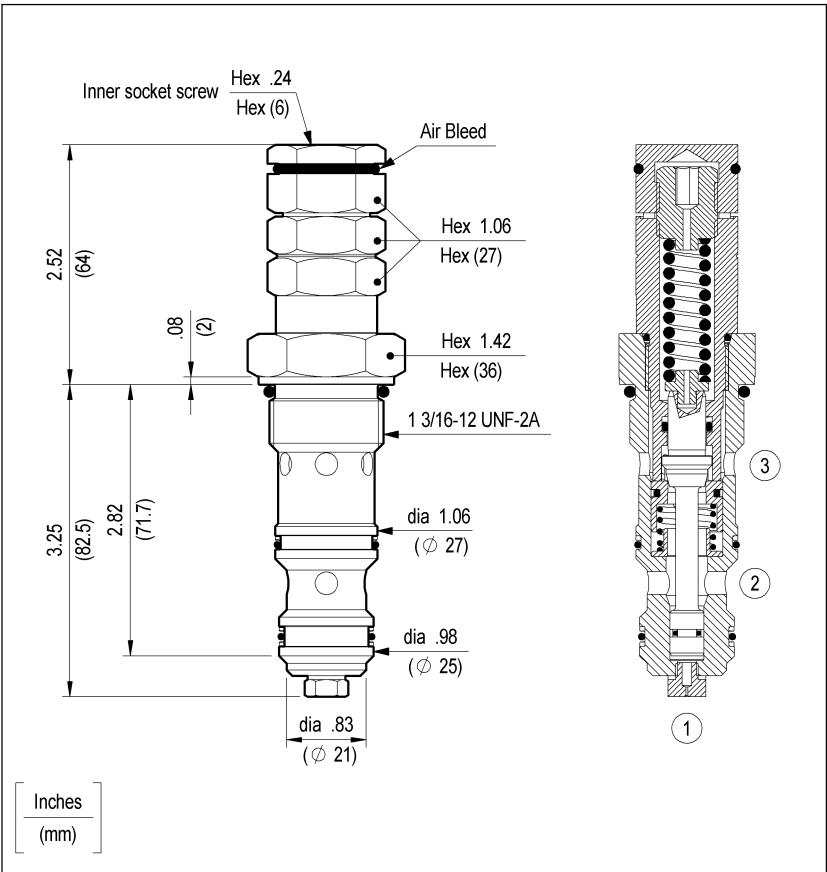


**COUNTERBALANCE, VENTED GUIDED POPPET TYPE
 SPECIAL CAVITY**

VBSO-SEC-CCAP-90

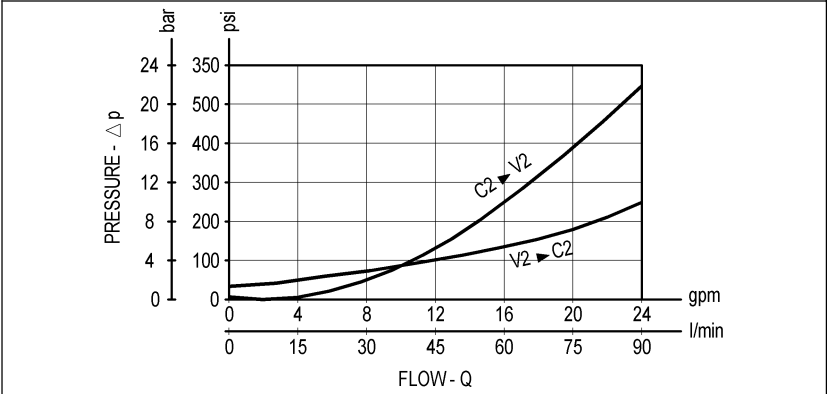
04.59.07 - X - 99 - Z



TECHNICAL DATA

Max. pressure:	5000 psi	(350 bar)
Max. flow:	24 gpm	(90 l/min)
Special cavity :	625 (see page CT.S.003.U)	
Installation torque :	105-117 ft-lb	(142-158 Nm)
Weight:	1.477 lbs	(0.670 Kg)
Pressure setting:	at least 1.3 times the load induced pressure	

When pressure at 3 rises above the spring bias pressure, the check seat is pushed away from the piston and flow is allowed from 3 to 2. When load pressure at 2 rises above the pressure setting, the direct-acting, relief function is activated and flow is relieved from 2 to 3. With pilot pressure at 1, the pressure setting is reduced in proportion to the stated ratio of the valve, until fully open with free-flow from 2 to 3. The spring chamber is vented to atmosphere allowing operation of all functions independent of back-pressure at 3.



X	PILOT RATIO
03	4.2 : 1

Z	SPRINGS		
	Adj. press. range psi (bar)	Press. increase psi / turn (bar/turn)	Standard setting psi (bar) (Q=5 l/min)
35	1450-5000 (100-350)	1740 (120)	5000 (350)